

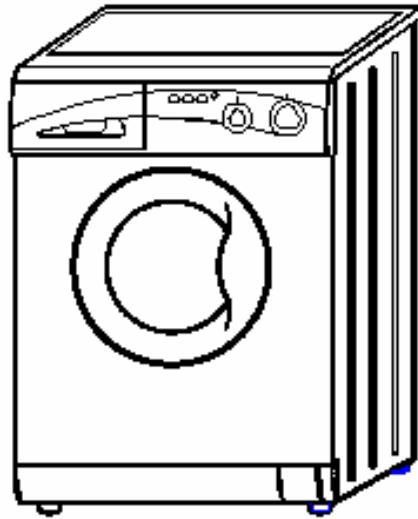
# FRONT LOADING

---



## **Combo Washer-Dryer EZ 3710 CEE EZ 1710 V**

### **Owner's Manual**



**Colors: Platinum & White**

## TABLE OF CONTENTS

Warranty.....	2-3
Introduction .....	4
Important Safety Instructions .....	5
Picture of the Combo Washer-Dryer.....	8
Installation .....	9-11
Control Panel.....	12-13
Operating Instructions .....	14
Program Selection Chart .....	15
How to dry .....	16
Stain removal Chart .....	17-18
Maintenance .....	20
Technical Data .....	20
Troubleshooting .....	21
Company Information .....	22

---

**Please read the Owner's Manual carefully before using your  
new Equator Washer-Dryer**

---

---

## WARRANTY INFORMATION

**Your Equator® appliance is protected by this warranty under normal, personal, family or household use (1 Year), and limited commercial use (90 days) in the USA and Canada.**

### WARRANTY

Equator Corporation undertakes to the consumer-owner to repair or, at Equator Corporation's option, to replace any part of this product which proves to be defective in workmanship or material under normal personal, family or household use, in the USA and Canada, for a period of one year from the date of original purchase. For commercial use, the product is warranted for a period of 90 days. During this period, Equator Corporation will provide all labor and parts necessary to correct such defect, free of charge, if the appliance has been installed and operated in accordance with Equator Corporation's written instructions with the appliance. Ready access to the appliance, for service, is the responsibility of the consumer-owner.

**Geographic Exception:** If the product is installed at a location more than 50 miles from an urban area (minimum population 25,000), Equator Corporation may, at its option, offer a 2-year parts only Warranty, if a service agent cannot be found. Responsibility for labor, in such instances will be that of the consumer-owner. Equator Corporation will, however provide free technical assistance for repairs.

### EXCLUSIONS

---

In no event shall Equator Corporation be liable for incidental or consequential damages or for damages resulting from external causes such as abuse, misuse, incorrect voltage or acts God. This warranty does not cover service calls which do not involve defective workmanship or materials covered by this warranty. Accordingly, diagnosis and repair costs for a service call which does not involve defective workmanship or materials will be the responsibility of the consumer-owner.

**Specifically, the following work is not covered under warranty and does not constitute warranty work:**

- **Installation – e.g. improper hook-up or leveling or non-removal of shipping bolts**
- **Maintenance – e.g. cleaning of air and/or water filter**
- **Damage – e.g. replacing broken door handle**

Most work is covered. The defining factor is, has the machine malfunctioned (Equator is responsible) or has the customer omitted or done something to cause machine to malfunction (customer is responsible). Some States do not allow the exclusion or limitation of incidental or consequential damages, so the above limitation or exclusion may not apply to you.



---

## WARRANTY SERVICE

---

This warranty is given by:

**Equator Corporation,  
Equator Plaza,  
2801 W. Sam Houston Parkway N.  
Houston, TX 77043-1611**

Service under this warranty must be obtained by the following steps, in order:

Call an Equator Corporation Authorized Service Agent (obtain number of nearest agent from your dealer or by calling Equator Service at 1-800-776-3538). Under normal circumstances, Service will be provided during regular business hours (9:00 a.m. to 5:00 p.m. weekdays).

---

## GENERAL

---

Since it is responsibility of the consumer-owner to establish the warranty period by verifying the original purchase date, Equator Corporation recommends that a receipt, delivery slip or some other appropriate payment record be kept for that purpose. Remember to send in your Warranty Registration Card so that a proof of your purchase exists with Equator. You can also register online or by calling Equator Customer Service at 1-800-776-3538. This warranty gives you specific legal rights, and you may also have other rights which vary from State to State.

### Corporate Office

**EQUATOR CORPORATION  
Equator Plaza  
2801 W. Sam Houston Parkway N.  
Houston, Texas 77043-1611  
Tel: 713-464-3422  
Fax: 713-464-2151  
Toll Free: 800-935-1955**



**European Testing Laboratories**

**US N° 3008319 CANADA**

*The ETL Listed Mark is the legal equivalent to the UL and CSA Listed Marks*

---

## EQUATOR CONTACT NUMBERS

---

<b>Service:</b>	<b>800-776-3538</b>
<b>Parts &amp; Accessories:</b>	<b>888-483-9627</b>
<b>Technical Support:</b>	<b>888-935-1565</b>

---

---

## INTRODUCTION

***Congratulations on your new Equator Washer-Dryer. In addition to its award winning design, this is a highly sophisticated engineered product that will give you many years of satisfaction.***

---

### **Here are 10 of the best reasons for buying your Equator Washer-Dryer**

---

#### **1. Energy Savings**

This appliance is engineered to provide valuable energy savings when compared to other washer-dryers.

#### **2. Maintenance**

Since the machine has a self-cleaning pump, this appliance needs no cleaning of lint after drying. Instead, there is a convenient coin trap.

#### **3. Water Savings**

This appliance uses approximately 9 gallons of water per wash cycle and 3 gallons per dry cycle (in 120 minutes of drying) saving almost 40 gallons over a standard full-size top-loading washer.

#### **4. Improved Operation**

With a spin speed of 1,000 RPM, more water is extracted, allowing improved dry times.

#### **5. Convenience**

This appliance can be permanently installed and be made portable with casters and the faucet adapter kit (sold separately as accessories) where needed.

#### **6. Combined Washing & Drying**

No need for two separate machines for two tasks and no more transferring clothes from one to the other. Program the Washer-Dryer and you have a two-in-one.

#### **7. Better Clothing Appearance**

This Washer-Dryer has no agitator to damage your clothes so they look better and last longer.

#### **8. Placement Options**

The Washer-Dryer's sleek design makes it a perfect appliance for any Kitchen or Laundry Room. Its compact size makes the Washer-Dryer perfect for placement on each floor of your home.

#### **9. Easy Operation**

This appliance is simple to use as a washer or as a dryer – or it can go seamlessly from wash to the dry functions.

#### **10. Space Savings**

By combining the two functions of washer and dryer in one unit, the space taken for the second unit, i.e. separate dryer, is saved.

## IMPORTANT SAFETY INSTRUCTIONS

*Your safety and that of you children*

**Your washing machine has been built in compliance with safety regulations, to protect you and all your family.**

**WARNING** - To reduce the risk of fire, electric shock, or injury to persons when using your appliance, follow basic precautions, including the following:

1. Read all instructions before using the appliance.
2. Do not wash or dry articles that have been previously cleaned in, washed in, or spotted with gasoline, dry-cleaning solvents, other flammable or explosive substances, as they emit vapors that could ignite or explode.
3. Do not allow children to play on or in the appliance. Close supervision of children is necessary when the appliance is used near children.
4. Before the appliance is removed from service or discarded, remove the door.
5. Do not reach into the appliance if the tub or drum is moving.
6. Do not install or store this appliance where it will be exposed to the weather.
7. Do not tamper with controls.
8. Do not repair or replace any part of the appliance or attempt any servicing unless specifically recommended in the user-maintenance instructions or in published user-repair instructions that you understand and have skills to carry out.
9. Do not add gasoline, dry-cleaning solvents, or other flammable or explosive substances to the wash water. These substances give off vapors that could ignite or explode.
10. Under certain conditions, hydrogen gas may be produced in a hot water system that has not been used for 2 weeks or more. **HYDROGEN GAS IS EXPLOSIVE.** If the hot water system has not been used for such a period, before using a washing machine or combination washer-dryer, turn on all hot water faucets and let the water flow from each for several minutes. This will release any accumulated Hydrogen.
11. Do not use fabric softeners or products to reduce static unless recommended by the manufacturers of the fabric softener product.
12. Do not use heat to dry articles containing foam rubber or similarly textured rubber-like materials.
13. Check the Coin Trap every few months to remove any coins, buttons or similar size objects.
14. For vented washer-dryers keep the exhaust opening and surrounding areas free from accumulation of lint, dust, and dirt.
15. Do not place items exposed to cooking oils in your dryer. Item contaminated with cooking oils may contribute to a chemical reaction that could cause a load to catch fire.

## SAVE THESE INSTRUCTIONS

## HELPFUL HINTS



**Your Washer-Dryer** features three different speeds during the wash cycle. During the Cotton cycle the drum spins at 1,000 or 400 rpm depending on how you set it. During Permanent Press the drum spins at 500 rpm. During delicates, the drum spins at 400 rpm. When drying heavy cotton articles such as bath towels or jeans, be sure the "Regular" washer setting is selected. The faster spinning will extract more water from these highly absorbent fabrics and reduce the degree of dampness as the machine goes into the drying mode. This will cut down on your drying time.

**Use Liquid Fabric Softener.** Fill the softener compartment up to the level marked. Using fabric softener fluffs out clothes immediately after the wash cycle. This helps speed drying time and reduces wrinkles.

**This Washer-Dryer** is a 110 Volt machine, so the heating element requires more time to achieve full heat than a larger 220 volt unit requires. The heating element will take about 10 minutes to reach full heat.

**To dry your laundry,** the Washer-Dryer blows heated air into the rotating drum. As the drum tumbles your laundry, the warm air dries it. If the drum is overfilled with laundry, the air is not allowed to circulate and clothes will not dry properly.

**Use Low sudsing Detergent.** This is recommended for all front loading washers. It ensures there is no over sudsing, which may reduce the performance of your machine. Also, this prevents damage to your machine which may be caused by excess suds entering the condensing chamber [EZ 3710 CEE] and clogging the fan blower mechanism [EZ 3710 CEE/EZ 1710 V] with lint. If you have any problem obtaining low sudsing detergent, please call Equator to obtain information on our house brand, Equator low sudsing detergent. A coupon for a free box of the Equator detergent is enclosed with the warranty card.

**When sorting laundry** always take into consideration the quantity and type of fabric contained in the load. Highly absorbent fabrics such as those used in towels or jeans will absorb more water and become very heavy when saturated. If you notice that your clothes are taking longer than usual to dry you may be overloading the machine, or washing too many highly absorbent articles for a single load.

## DRYER EFFICIENCY

Your Washer-Dryer operates on 110 volts and has a dryer heat element (The EZ 3710 CEE is 1,000 watt ; EZ 1710 V is 1200 watt ). It will take a longer time to dry clothes than a traditional dryer (which operates on 220 volts, 5,000 watts). However, with the following tips, you can increase the efficiency of the dryer.

**1. FABRIC SOFTENER:** When the Wash and Dry cycles are set to run consecutively, the preheat function comes on automatically. In this, the heater is turned on during the last spin cycle of the wash program. In the Cotton & Perma Press Wash programs, the clothes will be getting spun at 1,000 & 500 rpm respectively, while hot air from the dryer will be entering the drum at the same time. While centrifugal force causes clothes to stick to the sides of the drum, the hot air will "bake" them to the sides. It may take 30 minutes or more for the clothes to unstick and fall into the drum. **USING LIQUID FABRIC SOFTENER WILL CAUSE THE CLOTHES TO UNSTICK IMMEDIATELY. THIS HELPS DRY CLOTHES FASTER AND CAUSES LESS WRINKLES.**

**2. OVERLOADING:** The drum has a capacity of 11 lbs (1.67 cu. ft.) While this unit has one of the largest drums available on any combination washer-dryer, it is smaller than a standard U.S. washer. The EZ 3710 CEE/EZ 1710 V drum should not be overloaded. With too many clothes, airflow is reduced, increasing drying time. A maximum of 6.5 lbs or 3/5<sup>th</sup> of the drum full of clothes is recommended for ideal drying.

**3. OVER DRYING:** [EZ 3710 CEE] uses a condensing dryer. In this cold water is used to condense the moisture from the hot air. Since there is no external exhaust system, the moisture remains in the machine. Frequently, when it seems the clothes are damp, it is actually the remaining moisture (like dew). Take clothes out and within a few minutes they will be dry. Do not over-dry the clothes.

**4. USE LOW SUDSING DETERGENT:** By using low sudsing detergent (Equator brand or any other), you are preventing suds from entering the condensing chamber [EZ 3710 CEE]. When suds enter the condensing chamber, lint particles can clog up the chamber and the fan blower [EZ 3710 CEE/EZ 1710 V]. Over time, this reduces drying efficiency and may require the fan blower (impeller) to be cleaned. For this and all other front-loading/horizontal-axis units, low sudsing detergents go a long way to improve the efficiency of the units.

## SAFETY



### CAUTION



**RISK OF ELECTRIC SHOCK  
DO NOT OPEN**

**CAUTION: TO REDUCE THE RISK OF ELECTRIC SHOCK, DO NOT REMOVE COVER (OR BACK). NO USER SERVICABLE PARTS INSIDE. REFER SERVICING TO QUALIFIED SERVICE PROFESSIONALS.**

The model number of this product may be found on the back of the unit; the serial number of the label affixed to the back of the unit.

You should note the model and serial numbers of this unit in the space provided. Retain this booklet as a permanent record of your purchase to aid in identification in the event of theft.

MODEL# \_\_\_\_\_

SERIAL# \_\_\_\_\_

## INTRODUCTION

Your new appliance is carefully engineered product. Many times what appears to be a reason to call service, the problem may require nothing more than a simple adjustment you can easily make in your own home.

**You will be charged for a service call while the appliance is in warranty if the problem is not caused by defective product workmanship or materials covered by this warranty.**

To avoid a charge for an unnecessary service call, and before calling a serviceman, please refer to the troubleshooting section for situations that you can remedy. This section is included on pages 21 of this Owner's Manual.

Your Washer-Dryer is front loading, with an extra large door opening for easier access. **It has 8 wash cycles.**

You will obviously want to obtain the best possible wash. By reading and following the instructions in this booklet you will achieve excellent results.

Please, ensure that the instructions are followed. If you should need any further advice or assistance, please, contact the dealer where your machine was purchased, or call Equator Customer Service at **1-800-776-3538**.

This appliance is an automatic washer-dryer with a capacity of up to:

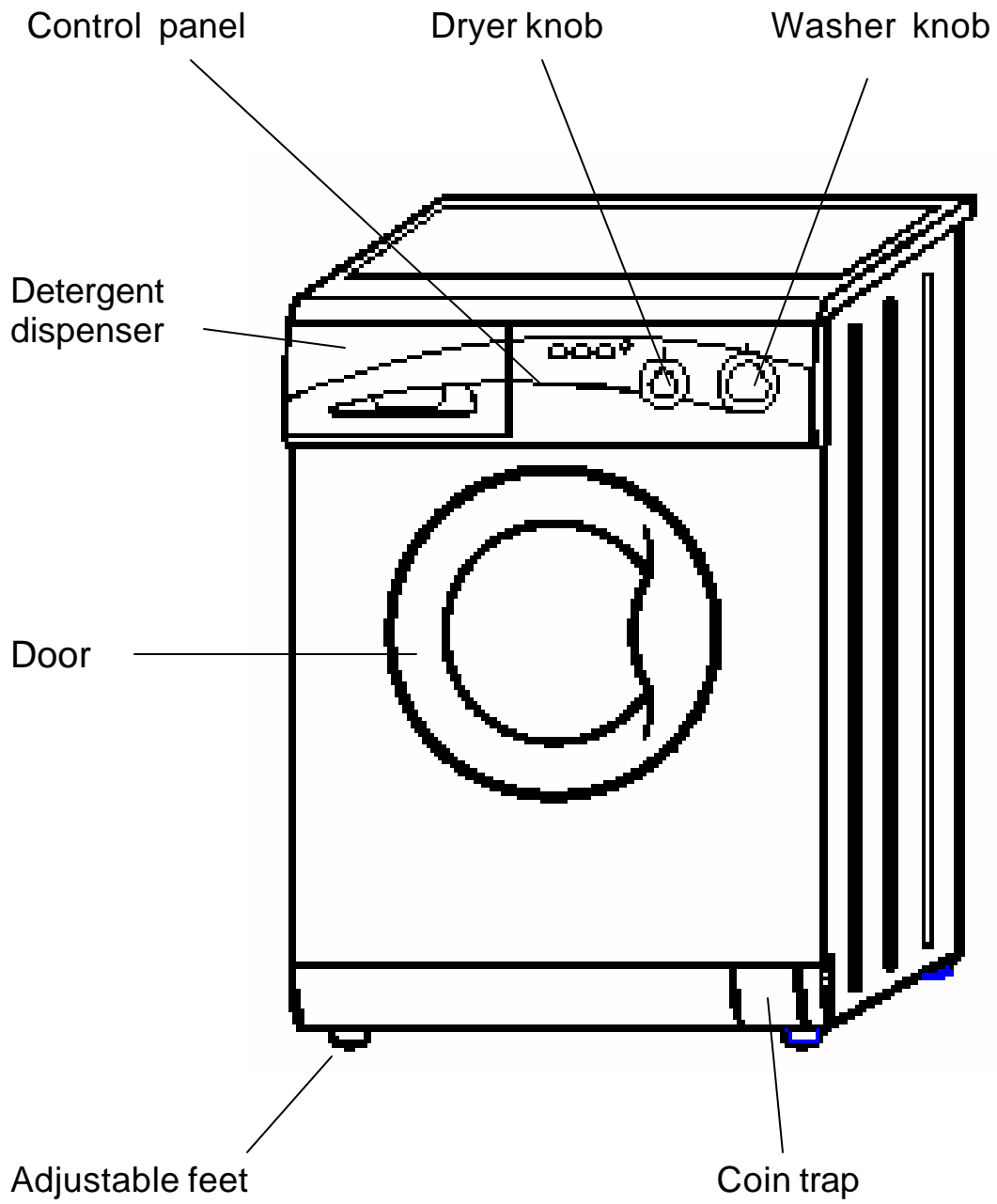
- WASH **11 Lbs**
- WASH & DRYING **6.5 Lbs** dry weight of clothes

## PRE-INSTALLATION

1. The unit must be installed on a strong level floor, and in protected, dry, and well-ventilated area close to a power and water supply of sufficient capacity, and a sufficient outlet.
2. Installation on Carpet or Wood increases vibrations.
  - Carpets - place on light carpet only.
  - Wood - brace floor with screws and place additional sheets of plywood before installation.
3. This unit's installation and grounding should be done in accordance with local codes by a qualified installer. "Installation Instructions" are included in this manual for the Installer's reference.
4. The unit should be plugged into a properly grounded three (3) prong electrical outlet of 110 V/60Hz with minimum 15 Amps, It should not be controlled by a wall switch or pull cord which might be turned off accidentally.

## PICTURE OF THE COMBO WASHER-DRYER





## INSTALLATION

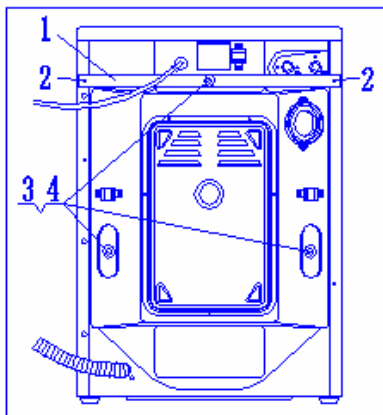
### UNPACKING, LEVELING, & POSITIONING

Remove the packing and check that the Washer-Dryer is undamaged. If you have any doubt, do not use the Washer-Dryer and call Equator Customer Service. Keep all packing parts (plastic bag, foam rubber, screws, etc.) out of the reach of children since they could be dangerous.

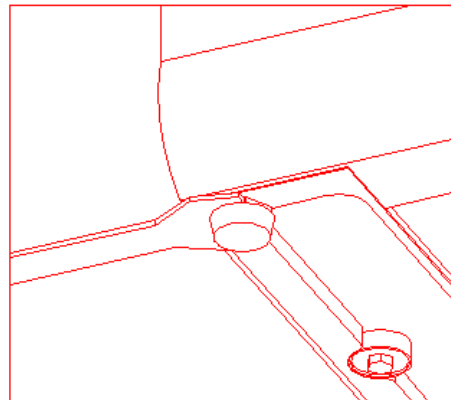
**Important** The inside of the Washer-Dryer consists of a free floating drum that is affixed with shipping bolts at the back of the cabinet (Fig.1) during transport. Before starting the machine, remember to remove the shipping bolts. To prevent water spray from entering the machine, remember to close the holes left open by the bolts with the plastic caps provided in the packet containing the Owner's Manual.

It is important for the machine to be perfectly level. For this reason, the machine is fitted with adjustable feet used for leveling the machine before use (Fig.2).

**In the case of flooring with carpeting, remember to check that there is sufficient ventilation around the machine.**



(Fig.1)



(Fig.2)

### ELECTRICAL CONNECTION

Connect the plug to a power outlet – 110V/60Hz with minimum 15 Amps. Make sure that the voltage and frequency available correspond with those stated on the serial number plate located on the machine. Do not use adaptors or extension cords since they could result in overheating and burn out.

## GROUNDING

This appliance must be grounded. In the event of malfunction or breakdown, grounding will reduce the risk of electric shock by providing a path of least resistance for electric current. This appliance is equipped with a power cord having an equipment-grounding conductor and a grounding plug. The plug must be plugged into an appropriate outlet that is properly installed and grounded in accordance with all local codes and ordinances.

### WARNINGS

- Improper connection of the equipment-grounding conductor can result in a risk of electric shock. Check with a qualified or service representative or personnel if you are in doubt as to whether the appliance is properly grounded.
- Do not modify the plug provided with the appliance: if it will not fit the outlet, have a proper outlet installed by a qualified electrician.

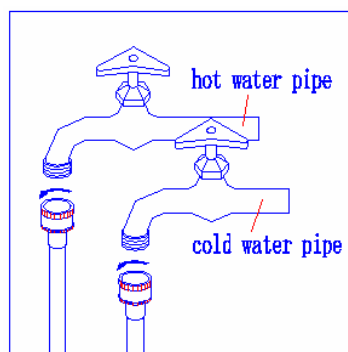
## CONNECTING TO THE WATER FAUCET

Please read the following steps carefully (Fig.3, Fig.4)

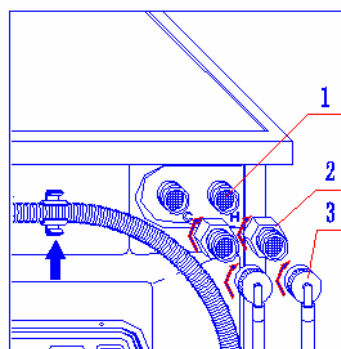
1. Connect the *gray* end of the hot-water hose to the hot-water faucet (Fig.3).
2. Connect the *gray* end of the cold-water hose to the cold-water faucet (Fig.3).
3. Connect two pressure-reducing valves [2] to each inlet valve [1] (see Fig.4).
4. Connect the *white L-shaped* end of hot-water hose to the pressure-reducing valve connected to the inlet valve marked "H" (Fig.4).
5. Connect the *white L-shaped* end of cold-water hose to the pressure-reducing valve connected to the inlet valve marked "C" (Fig.4).

## CONNECTING THE DRAIN HOSE

Connect the drain hose to a drain duct (with internal diameter of at least 1.6 inches) or place it for drainage in to a sink or a tub, ensuring that there are no kinks or bends. The free end must be at a height of 31.5 inches from the floor, the hose must be fixed in the appropriate hook on the upper part of the back panel (Fig.4)



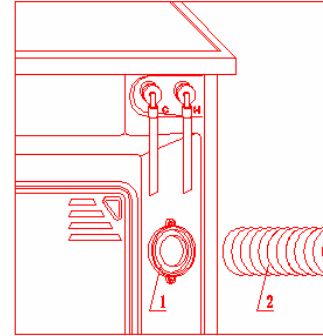
(Fig.3)



(Fig.4)

### Connection the vent hose

For **EZ 1710 V**, the machine vents the moist hot air out of the unit and require a vent hose to be installed, To install the vent hose, Screw the vent hose 2 into the flange 1(Fig.5).



( Fig.5)

## RECESSED, CLOSET AND ALCOVE INSTALLATION (Instructions)

The machine may be installed in a recessed area, closet or alcove.

The installation spacing is in inches and is the minimum acceptable.

Additional spacing should be considered for easy installation, servicing and compliance with local codes and ordinances.

Closet installation must be exhausted.

Other installations must use the minimum dimension indicated.

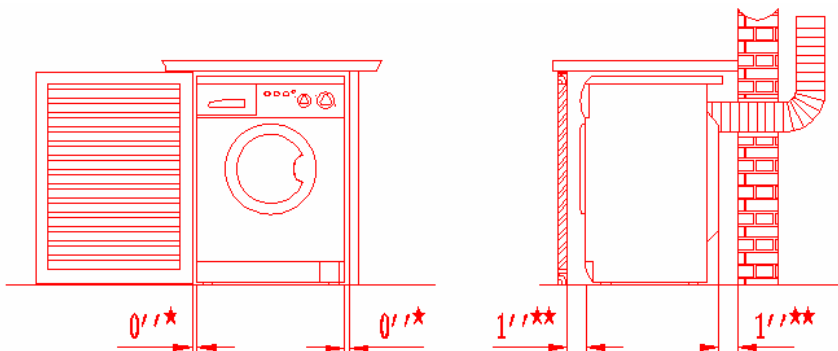
? Additional clearances for wall, door and floor molding may be required.

? ? Additional space is needed when an external exhaust elbow is used.

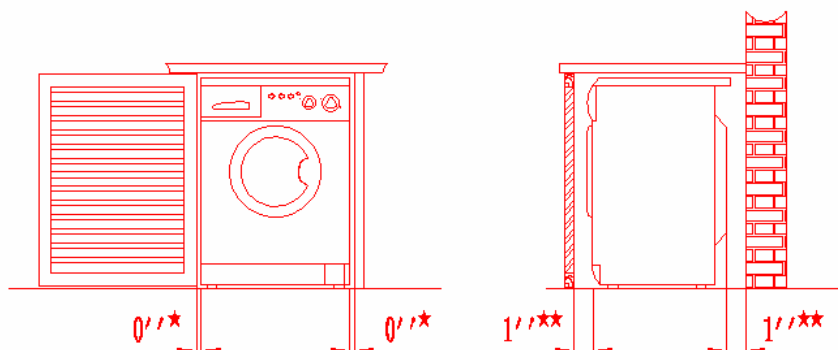
The closet's front door must be a shutter, and the clearance between the slats must be more than 1/3 area the front door.

For **EZ 1710 V**, see Fig 6,

For **EZ 3710 CEE**, see Fig 7.



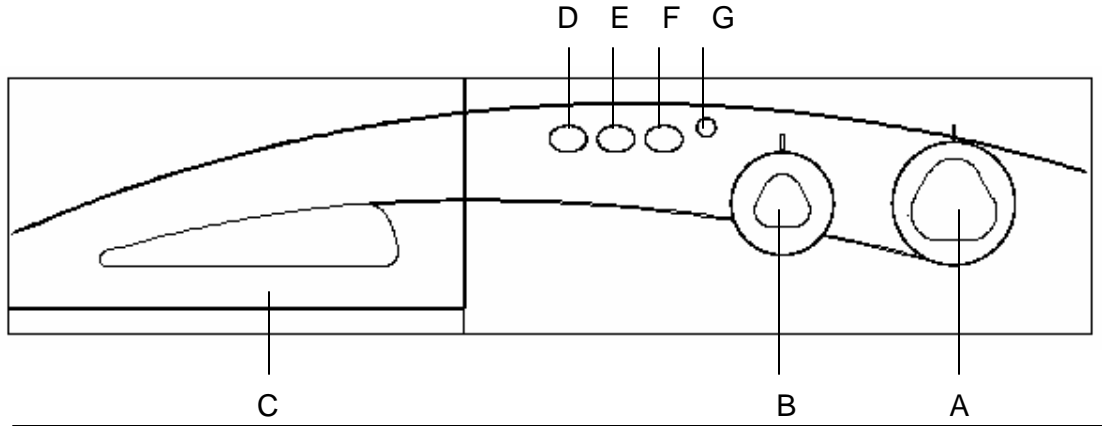
( Fig.6)



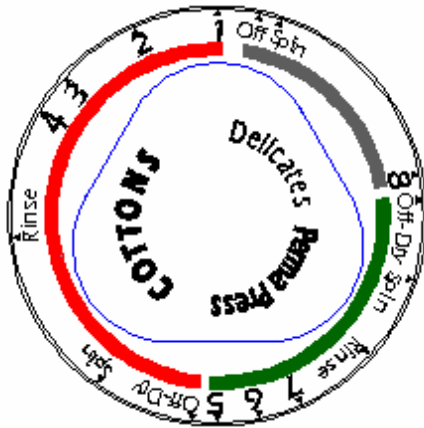
( Fig.7)

**CONTROL PANEL**

- A Washer knob
- B Dryer knob
- C Detergent dispenser
- D Power button
- E 1/2 load button
- F No spin button
- G Power indicator light

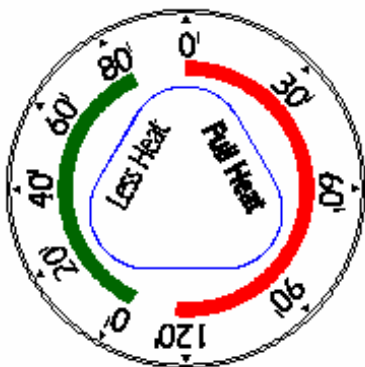


**A**



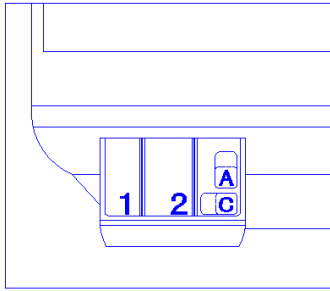
Turn washer knob clockwise, to choose wash cycle.

**B**



Turn dryer knob to set minutes for drying. The left side is full heat (250° F) The right side is less heat (185° F).

## C



The detergent dispenser has 4 compartments, marked 1, 2, A, C.

1. Pre-wash detergent
2. Wash detergent
- A. Fabric softener (e.g. Downy®)
- C. Bleach (e.g. Clorox®)

---

## D

### **Power button.**

Pressed in for ON

Not pressed for OFF

---

## E

### **1/2 Load button.**

If you have half a load or a light load, press this button.

---

## F

### **No spin button.**

For delicate clothing (wools, silks etc.) Press this button for the Delicate cycle and the washer performs only a wash and does not spin.

---

## G

### **Power indicator light**

This light indicates whether the power is on or off. The light comes on when button F is pressed and goes off when button F is not pressed.



**Warning** — to reduce the risk of fire, electric shock, or injury to person, read the **IMPORTANT SAFETY INSTRUCTIONS** before operating this appliance.

## OPERATING INSTRUCTIONS

1. Make sure Washer-Dryer is turned off. (Indicator light should be off).
2. Separate clothes into cottons, permanent press and delicates.
3. Load clothes of the selected type loosely into the drum. If you are only washing clothes, you can fill the drum. However, if you are washing and then drying, please don't load clothes more than 2/3 full.
4. Close the Washer-Dryer door. You will hear a click when it is correctly closed.
5. Add detergent to the center compartment of the dispenser (2). Use low-sudsing detergent – about 1 tablespoon. If desired, you can add pre-wash detergent, fabric softener and bleach as shown in the diagram (see **C** on page 13).
6. Choose a Wash program by turning the washer knob clockwise to the desired setting on the control panel. (See chart on page 15).
7. Turn the Dryer knob to the desired amount of minutes for drying. The left side is for high heat and the right side is for less heat.
8. If you have a light load or ½ load of clothes, press the ½ load button.
9. For delicates only (wool, silk, etc.) if you do not want the drum to spin, press the no spin button. Keep in mind that the clothes will retain a fair amount of water.
10. Review these steps and check all the settings on the control panel before starting the machine.
11. Press the Power button. The indicator light will come on and in a few seconds, you will hear the cycle begin.
12. When the Washer-Dryer has completed the cycle, the machine will stop automatically, although the indicator light will remain on until you manually press out the Power button.

**Note:** The door switch of the Washer-Dryer is electronic and locks automatically during the Wash cycle. You must wait for 2 minutes after the Wash cycle has stopped to open the door. Please do not try to force the door open. **Breaking of the door handle is not covered by warranty.**

*You can open the door any time during the Dry cycle without waiting.*

## STARTING THE WASHER-DRYER

Starting your washer-dryer in the right way is important for the quality of your wash, to help prevent future problems and enhance life expectancy of your appliance. Once you have loaded your washer-dryer and added the detergent together with any fabric conditioner, **always check that:**

- 1) The door is closed correctly. 2) The plug is secured in the socket. 3) The water supply is turned on.

### Choose the desired program

The program is selected according to the type of garments that need to be washed. To choose a program, refer to the table on page 15, then:

- 1) turn **Washer** knob until the selected program is aligned with the mark on the knob,
- 2) turn **Dryer** knob to the desired position,
- 3) if necessary use buttons ½ **LOAD** and **NO SPIN**
- 4) lastly, press the Power button.

### At the end of the wash cycle...

Turn the washer-dryer off by pressing **Power** button. You can now open the washer-dryer door safely. After having removed the freshly cleaned laundry, leave the door open to allow air circulation inside the drum. *Remember that, in the event of a power failure, or should the washer-dryer switch itself off, the program chosen will remain in memory.*

## PROGRAM SELECTION CHART

Type of Fabric	Program	Description of load	Features	Suggested Drying heat and times
<b>Cottons</b>	<b>1 - Prewash</b>	Heavy, soiled clothing	Prewash Cold water wash High spin	High heat 120 minutes
	<b>2 - Heavy</b>	Thick cottons (towels, jeans)	Hot water wash High spin	High heat 90 minutes
	<b>3 - Normal</b>	Mixed cottons (t-shirts, jeans)	Warm water wash High spin	High heat 90 minutes
	<b>4 - Fast</b>	Mixed cottons	Cold water wash High spin	High heat 90 minutes
<b>Permanent Press</b>	<b>5 - Super</b>	Cotton blends, light fabrics	Warm water wash Medium spin	Medium or high heat – at least 60 minutes
	<b>6 - Standard</b>	Cotton blends, light fabrics	Cold water wash Medium spin	Medium or high heat – at least 60 minutes
	<b>7 - Express</b>	Cotton blends, light fabrics	Cold water wash Medium spin	Medium or high heat – at least 60 minutes
<b>Delicates</b>	<b>8 - Delicates</b>	Wools, silks	Cold water wash Low spin	No Dry cycle after Wash cycle ends

### SPIN SPEEDS

- |                   |             |           |
|-------------------|-------------|-----------|
| • Cottons         | High spin   | 1,000 rpm |
| • Permanent Press | Medium spin | 500 rpm   |
| • Delicates       | Low spin    | 400 rpm   |

### DRYER HEAT

- |              |           |        |
|--------------|-----------|--------|
| • Left Side  | Full heat | 250° F |
| • Right Side | Less heat | 185° F |



## HOW TO DRY

### Combined (Wash & Dry)

- Look at table **A** to the side and follow the instructions provided for **MAX** load to have an **automatic** washing and drying cycle.
- Follow the instructions for **wash only** (see page 14, the section "Starting the Washer-Dryer")
- Set the dryer time on **Dryer** knob.
- Press the **Power** button.

**Table A: The best dry time also depends on the amount of laundry to be dried. Selecting the correct drying time, Use the following table as a guide:**

Fabric	Load	Max load (lbs)	Drying Knob Sector	Drying Time (minutes)
Cottons	Laundry of different sizes	6.5	High Heat	120
Cottons	Only terry towels	5.5	High Heat	120
Mixed fabric (cotton+ polyester)	Sheets or shirts	4.5	Less Heat	80-90
Acrylics	Pajamas. Socks etc	3.5	Less Heat	60-70
Nylon	Petticoats. Stockings etc	3.5	Less Heat	40-50

**If the laundry load to be washed and dried exceeds** the maximum load (see table **A**), then:

- follow the instructions provided for **wash only** (page 14, in section "Starting the Washer-Dryer" and follow these instructions.
- when the wash cycle has finished, remove your washing, divide it up and replace part of it inside the drum.

Now follow the instructions provided for a **dry only** cycle.  
Repeat this procedure for the remainder of the load.

### **Dry only**

- Load the clothes no more than **6.5 lbs** for cottons, (see table for other fabrics), make sure that:
  - the door is shut correctly;
  - the plug is inserted in the socket;
  - the water tap is turned on (**EZ 3710 CEE**)
  - Power button has not been pressed
- Set the **Washer** knob to the appropriate "**Off-Dry**" setting depending on the type of fabric
- Set dryer time on the **Dryer** knob
- Press **Power** button to start.

### **When Drying is Complete...**

Turn the washer-dryer off by pressing the Power button. Now you can open the appliance door. Once you have removed the dry clothes from the appliance, leave the door open or ajar to avoid the formation of bad odors and turn off the water (if attached with a faucet adapter kit.)

## USEFUL TIPS

### **Denim Alert:**

Some overalls have straps with hooks that can damage the drum of your washing machine or other garments during the wash. To minimize the risk, place hooks in the pocket and fasten with safety pins.

### **Vacations: unplug the appliance:**

It is recommended that you should unplug the machine from the socket and turn off the water supply. Leave the door ajar to allow air circulation to the drum and the door gasket area. This will prevent unpleasant odors.

## STAIN REMOVAL CHART

### **Blood**

Rinse or soak fresh stain in cold water. Work detergent into any remaining stain. Rinse. If stain persists, put a few drops of ammonia on stain and repeat detergent treatment. Rinse. If necessary bleach.

### **Candle Wax**

Scrape off excess. Place stain between clean white blotters or several layers of facial tissues. Press with warm iron. Sponge with cleaning fluid. If dye spot remains, bleach.

### **Ketchup**

Scrape of excess. Soak in cold water 30 minutes. Pre-treat with a detergent paste. Launder.

### **Chewing Gum**

Rub with ice to harden. Scrape off excess with dull blade. Sponge with cleaning fluid.

### **Chocolate or Cocoa**

Soak 15 minutes in cold water. Rub detergent paste into stain, then rinse thoroughly. Launder in hottest water safe for fabric. If colored stain remains, sponge with hydrogen peroxide, rinse and launder.

### **Cod liver Oil**

Sponge article with cleaning fluid. Soak in warm suds. If stain persists, wash with bleach safe for fabric. To remove yellow stain, sponge with hydrogen peroxide. Rinse and launder. Old stains may be nearly impossible to remove.

### **Coffee or Tea (Black)**

Soak fresh stains immediately in cold water. Then use bleach treatment with hottest water safe for fabric. Or if safe for the fabric pour boiling water through spot from a height of 1 to 3 feet. Launder.

### **Coffee or Tea (With Cream)**

Rinse or soak in cold water. Work detergent into stain. Rinse. Dry. If grease stain remains, sponge with cleaning fluid. Repeat, if necessary. If stain remains, bleach.

### **Cosmetics: eye shadow, lipstick, liquid make-up, mascara, powder, pancake make-up or rouge**

Apply undiluted liquid detergent to stain, or dampen stain and rub in soap or detergent

paste until thick suds are formed. Work in until stain is gone, rinse well. Repeat if necessary. If color remains, bleach if safe for fabrics.

### **Cream, Ice Cream or Milk**

Sponge stain with cool water or soak stain in cool water for 30 minutes or longer. If stain remains, work a detergent in- to spot then rinse. Bleach if necessary.

### **Deodorants and Antiperspirant s**

Wash or sponge stain thoroughly with warm water and detergent; rinse. If stain remains, bleach with hot sudsy water. Launder. You may be able to restore fabric color by sponging with ammonia. Rinse thoroughly.

### **Dye**

Rinse or soak in cold water. Work detergent into stain. Rinse. If necessary, bleach. Stain is not always possible to remove. A commercial color remover may also be used.

### **Egg or Meat Juice**

Rinse in cold water. If stain remains, sprinkle with meat tenderizer, let stand 15-20 minutes. If stain still remains, sponge with cleaning fluid or diluted bleach. Launder in hot water. The use of hot water first may set stain.

### **Fabric Softener Stain**

Rub with bar soap until stain has lightened. Rinse thoroughly. Launder. Rubbing alcohol is sometimes effective in the color of the garment can take it. Launder. If desired, dry cleaning can be used.

### **Felt tip pen**

Spray spot with cleaners suitable to this purpose. Sponge stain thoroughly. Rinse with cold water. Reapply cleaner if necessary .

### **Fruit, Wine**

Soak fresh stains immediately with cool water. Then use bleach treatment with hottest water safe for fabrics, pour boiling water through spot from a height of 1 to 3 feet. Launder.

### **Grass**

Work detergent into stain. Sponge with denatured alcohol. Bleach, if necessary.

### **Grease or Oil**

Scrape away excess. Rub detergent paste or a general purpose liquid household cleaner into stain, rinse with hot water. If stain remains, sponge thoroughly with a grease solvent. Dry. Repeat if necessary. To remove yellow stain, use a chlorine or oxygen bleach.

### **Ink. Ball-point**

Same ball-point inks are set by water. First test a scrap of cloth. Sponge stain repeatedly with acetone, amyl acetate or rubbing alcohol. Hair spray is effective. Launder. Bleach if necessary. Use amyl acetate on triacetate, arnel, dynel and verel. Use acetone on other fabrics. NOTE: Some inks cannot be removed.

### **Mildew**

Brush off surface growth to keep mold spores from spreading. Dip article into solution of 1/2 cup bleach per 1 gallon of cool sudsy water for 5 to 10 minutes. Rinse well. Launder.

### **Mud**

Let stain dry; then brush well. Rinse repeatedly in cool water until mud comes out. Launder. (Hot soaps suds set a red or yellow clay stain).

### **Mustard**

Soak in hot detergent water for several hours. If stain remains, bleach.

### **Nail Polish**

Treat while fresh, scraping or wiping off as much as possible, before it dries. Place stain face down on white paper towels. Sponge back of stain acetone (nail polish remover) or sponge with denatured alcohol and a few drops of household ammonia. Sponge stain frequently. Launder with water at temperature suitable for fabric. *Do not use acetone on acetate, arnel, dynel or rayon.*

### **Paint**

Sponge or soak in turpentine or solvent recommended as a thinner on label. Launder.

### **Perfume**

Rinse in cold water. Rub undiluted liquid detergent or a detergent paste into stain. Rinse. If stain remains, bleach.

### **Perspiration**

Wash or sponge stain thoroughly with warm water and detergent paste. If perspiration has changed the color of the fabric, restore it by treating with ammonia or vinegar. Apply ammonia to fresh stains; rinse with water. Apply vinegar to old stains; rinse with water.

### **Rust and Iron**

Apply commercial rust remover, according to manufacturer's directions. Rinse. Or, if safe for fabric, boil stained article in solution of 4 teaspoons of cream of tartar to 1 pint water.

### **Scorch**

Rinse or soak in cold water. Work detergent into stain. Rinse. Bleach, if necessary. Stain may be impossible to remove.

### **Shoe**

Polish Scrape off as much as possible. Pre-treat with a detergent paste; rinse. If stain persists, sponge with rubbing alcohol (1 part to 2 parts water) or turpentine. Remove turpentine by sponging again with warm detergent solution or with alcohol. Bleach if necessary.

### **Soft Drinks**

Sponge with cold water, some stains are invisible when they have dried, but turn brown when heated and may be impossible to remove.

### **Tar and Asphalt**

Act quickly before stain is dry. Sponge with grease solvent or turpentine. Launder.

### **Urine**

Soak in cool water. If stain is dry, work a detergent paste into the spot then rinse. If necessary, bleach.

## UNDERSTANDING FABRIC CARE LABELS

The symbols on labels of your garments will help you in choosing the suitable wash program, the right temperature, wash cycles, and ironing methods. Don't forget to give a glance to these useful indications!

<b>Machine Wash Cycle</b>	 Normal/Cotton Heavy Duty	 Permanent Press/wrinkle resistant	 Delicate/Gentle	 Hand wash	 Do not wash	 Do not wring
<b>Water Temp.</b>	 Hot (50°C/120°F)		 Warm (40°C/105°F)		 Cold/Cool (30°C/85°F)	
<b>Tumble Dry</b>	 Dry	 Normal/Cotton Heavy Duty	 Perm Press/wrinkle resistant	 Delicate/Gentle	 Do not tumble dry	 Do not dry
<b>Special Instructions</b>	 Line dry/hang to dry	 Drip dry	 Dry flat	 In the shade	<b>Select the right temperature...</b>  <b>Look !</b>	
<b>Bleach Symbols</b>						

## WINTERIZING YOUR WASHER-DRYER

To winterize your Washer-Dryer please, follow the instructions below to avoid damage to your unit due to freezing:

1. With the unit off, remove wash filter. This will allow the water remaining in the pump and drain hose to be evacuated. Replace filter.
2. **Close the inlet shut-off valves (provided by installer) and disconnect the inlet hoses.** There should be no water in the hoses where they attach at the back of the machine.

### IF ANTIFREEZE IS BEING USED IN THE SYSTEM FOLLOW THESE INSTRUCTIONS:

*(not necessary if the above drain procedure is followed)*

1. When putting antifreeze into the water system of your coach, set the washer to the **NORMAL** wash setting and allow water to flow into unit until antifreeze is detected.
2. **Turn off Power.** Advance the washer knob to the "Rinse" position and allow water to flow for 10 seconds.
3. **Turn off Power.** Advance the washer knob on "Spin" to remove the majority of the water from the unit.
4. **Turn off Power.** With the unit off, remove coin trap from the unit. This will allow the water remaining in the pump and drain hose to be evacuated. Replace coin trap.
5. **If you elect you may close the inlet shut-off valves (provided by installer) and disconnect the inlet hoses.**
6. Any water remaining in the unit should contain antifreeze and be protected from freezing.

**Note:** When placing unit into service allow unit to operate for one complete cycle before doing laundry to ensure all antifreeze has been purged from the unit.

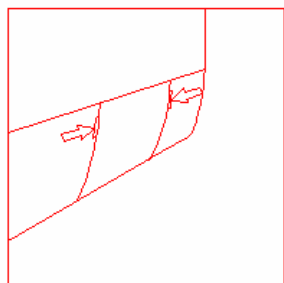
If you have any further questions pertaining to this matter please call **Equator Technical Support Toll free at (800) 776-3538.**

## MAINTENANCE

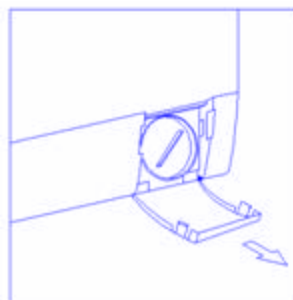
The Equator Washer-Dryer has been designed to operate without complicated maintenance.

Follow these simple maintenance procedures for good results:

1. Ensure that your machine was installed according to the correct installation procedures detailed in this Manual.
2. Do not use solvents either to clean the machine or to wash clothes.
3. Keep the inside of the detergent dispenser clean;
4. The drain pump of this Washer-Dryer is a self-cleaning pump. It is therefore not necessary to carry out cleaning and maintenance operations. However, objects (such as buttons, coins, etc) may sometimes accidentally drop into the pump. Since these can't be expelled through the drain hose, please remove the cover panel at the bottom of the unit (Fig. 8), remove the pump cover, and carefully inspect the inside. (Fig.9)



(Fig.8)



(Fig.9)

## TECHNICAL DATA

Model	<b>EZ 3710 CEE</b>
Rated Voltage	110-120V/60Hz
Washing input power	560 W
Spin input power	980 W
Capacity	11 lbs.
Spin Speed	1,000 rpm
Wash programs	8
Water pressure	0.05-1(MPa)
Dimensions (HXWXD)	33.5 x 23.5 x 21.6 (inches)
Weight	159 lbs.

Model	<b>EZ 1710 V</b>
Rated Voltage	110-120V/60Hz
Washing input power	330 W
Spin input power	850 W
Capacity	11 lbs.
Spin Speed	1,000 rpm
Wash programs	8
Water pressure	0.05-1(MPa)
Dimensions (HXWXD)	33.5 x 23.5 x 21.6 (inches)
Weight	159 lbs.

## TROUBLESHOOTING

In most cases, when your washer-dryer fails to work, the problems arising can be easily solved without having to call for a technician. Before calling for assistance, always check these points.

◆ **The washer-dryer fails to start**

- Is the plug correctly inserted into the socket?
- Is there electricity in the house?
- Is the door closed properly?
- Is the power button pressed?
- Is the Washer knob in the correct position for the cycle to start?
- Is the water supply turned on?

◆ **The washer-dryer fails to fill with water**

- Is the hose correctly connected to the faucet?
- Is there water supply?
- Is there sufficient water pressure?
- Is the faucet filter clean?
- Is the inlet hose kinked?

◆ **The washer-dryer continuously fills and drains water**

- Is the drain hose positioned too low?
- Check that the inlet hose is not connected at a height more than 40 inches above the floor.
- Is the end of the outlet hose immersed in water?

◆ **The washer-dryer does not drain or spin**

- Does the selected program incorporate water draining?
- Is the drain pump clogged?
- Is the drain hose kinked?

◆ **There are too many suds in the drum**

- Is low-sudsing detergent being used? It is recommended to use Equator detergent.
- Is the correct amount of detergent being used?

◆ **The washer-dryer vibrates too much during the spin cycle**

- Have all shipping bolts been removed during installation?
- Has the machine been leveled correctly?
- Is there space between the machine and adjacent units?
- Is the machine loaded evenly?
- Is the machine installed on carpet or on a wooden floor?

◆ **The washer-dryer leaks**

- Is the metal ring of the inlet hose properly attached?
- Is the detergent dispenser obstructed?
- Is the drain hose inserted correctly into the drain?

◆ **The washer-dryer is not drying**

- Is the plug correctly inserted into the power outlet?
- Is the door properly closed?
- Is the dryer knob in the correct position indicating minutes for drying?

◆ **The washer-dryer is not drying efficiently**

- Is the end of the drain hose under water?
- Is the drain pump obstructed?
- Is the drum overloaded?
- Is the cold water faucet open?
- Is low-sudsing detergent being used?
- Is fabric softener being used?

**COMPANY INFORMATION**

# **EQUATOR CONTACT NUMBERS**

**SERVICE: (800) 776-3538**

**PARTS, ACCESSORIES & DETERGENT ORDERING:  
(888) 483-9627**

**TECHNICAL SUPPORT: (888) 935-1565**

**Equator Corporation**  
Equator Plaza,  
2801 W Sam Houston Pkwy N, Houston, Texas 77043-1611  
Phone (800) 935-1955 • Fax (713) 464-2151  
*All rights reserved.*  
*Manual subject to change without notice*